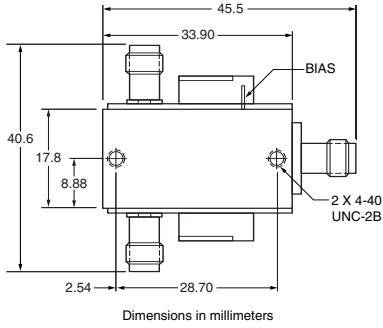


SPDT SWITCH

DC to 65 GHz



SC4734, SC6135 outline

Coaxial 65 GHz microwave SPDT switch
Short voltage pulse driven.

Features

- *Switching Speed: 20 msec max*
- *Operating Voltage: 20 to 30V*
- *Duty Cycle: 20 msec min*

Specifications*

Model	Frequency range	Connectors		Insertion loss (dB)	Return loss (dB)	Isolation (dB)
		in	out			
SC4734	DC to 60 GHz	V(f)	V(f), V(f)	1.5 ≤40 GHz 3.0 >40 GHz	10 ≤40 GHz 6 >40 GHz	29 ≤40 GHz 26 >40 GHz
SC6135	DC to 65 GHz	V(f)	V(f), V(f)	1.5 ≤40 GHz 3.0 >40 GHz	10 ≤40 GHz 6 >40 GHz	29 ≤40 GHz 26 >40 GHz

Temperature range: 0°C to +70°C

*Call 1-800-ANRITSU for detailed information

Ordering information

Please specify model/order number, name, and quantity when ordering.

Model/Order No.	Name
SC4734	SPDT Switch, DC to 60 GHz
SC6135	SPDT Switch, DC to 65 GHz